

**SINOSTAR™**

**LED**

**SINOSTAR LIGHTING GROUP LTD**





# SINOSTAR™

Professional Lighting Manufacturer & Exporter in China since 2000



A BOUTUS

In 2000, SinoStar Lighting Group Ltd was established. With the aim to be one of best lighting manufacturers on the markets, we are providing innovative and professional lighting solutions.

Since 2006, focusing on LED lighting products, SinoStar LED lighting products meet or exceed the brightness, efficacy and quality of traditional lighting and thereby making it possible to replace incandescent, halogen, HID and fluorescent tube, while lasting several years longer and consuming far less energy.

In 2010, SinoStar Lighting has witnessed a rapid growth of LED lighting with increasing productivity, market penetration and revenue. What distinguishes us from others and makes us succeed in the competition is that we insist on providing quality products with highly competitive price. On September, a new showroom was open in South China Optoelectronic Center, one of the largest Lighting exhibition center in China, to better promote our domestic business.

In 2011, our LED lighting product have been exported 90 countries. With a fast growing and spreading global network, we are dedicated to helping the world reduce CO2 emissions, global warming, environmental toxicity and resource consumption. We believe that by employing the state-of-the-art LED lighting solutions, we are able to live a more energy-efficient, cost-effective and eco-friendly lifestyle.

In 2012, SinoStar Lighting built a new factory area where new automation production lines that provide much larger production capacity, we are able to process bigger order and deliver faster.

In 2014, we launched a new series of LED lights with much competitive prices with cutting age technology!

We are looking for qualified agents and distributors that share the same vision with us to bring LED lighting to the general public. Design, manufacturing and marketing of various premium lighting to a worldwide market has been continuing for last 14 years, you are welcomed to join us now and contribute our joint efforts to making a greener and cleaner world of LED light!

SinoStar Lighting manufactures wide range lightings that are designed to retrofit into current lighting infrastructure as well as for new construction.

# LED SPOTLIGHT



SS-GU10-COBP-5W

Model Number	Lamp Body Material	Lamp Power (W)	Lamp Luminous Flux(lm)	Size (mm)	CCT (K)	Lamp Viewing Angle(°)	Input Voltage (V)
SS-GU10-COBP-5W	aluminum with plastic outside	5W	380-420	49.8x52.2	Warm White/Pure White/White	38°	AC85-265V

## Features:



- (1) the quality of light shape under the same condition, the weight is only aluminum alloy 2/3.
- (2) cleaner production processes, and die cast aluminium casing will cause serious pollution to the water and soil.
- (3) improve the degree of freedom of design and design more complex shapes. Processing of aluminum shell can not carry out a more complex shape.
- (4) the processing is convenient, high efficiency.
- (5) high insulation resistance.
- (6) reduce the manufacturing cost of production.

## Application:

- 1.widely used for home,shopping center and office lighting and decoration of park,stage etc.
- 2.task lighting for cabinets, cupboards etc in your homes,restaurants,and kitchens or any other places where accent lighting is required.
- 3.led spotlight for the articles in ylor stores and shops.
- 4.jewellery showcase lighting.
- 5.bars,coffee house lighting.
- 6.suitable for products DIY store, hardware store, lighting store Malls,supermarket selling and lighting.

## Contrast material





**SS-MR16-COBP-5W**

Model Number	Lamp Body Material	Lamp Power (W)	Lamp Luminous Flux(lm)	Size (mm)	CCT (K)	Lamp Viewing Angle(°)	Input Voltage (V)
SS-MR16-COBP-5W	aluminum with plastic outside	5W	380-420	49.8x46	Warm White/Pure White/White	38°	AC85-265V

**Features:**

- (1) the quality of light shape under the same condition, the weight is only aluminum alloy 2/3.
- (2) cleaner production processes, and die cast aluminium casing will cause serious pollution to the water and soil.
- (3) improve the degree of freedom of design and design more complex shapes. Processing of aluminum shell can not carry out a more complex shape.
- (4) the processing is convenient, high efficiency.
- (5) high insulation resistance.
- (6) reduce the manufacturing cost of production.

**Application:**

- 1.widely used for home,shopping center and office lighting and decoration of park,stage etc.
- 2.task lighting for cabinets, cupboards etc in your homes,restaurants,and kitchens or any other places where accent lighting is required.
- 3.led spotlight for the articles in ylor stores and shops.
- 4.jewellery showcase lighting.
- 5.bars,coffee house lighting.
- 6.suitable for products DIY store, hardware store, lighting store Malls,supermarket selling and lighting.



**Contrast material**



# LED SPOTLIGHT



SS-GU10-2807P-5W

Model Number	Lamp Body Material	Lamp Power (W)	Lamp Luminous Flux(lm)	Size (mm)	CCT (K)	Lamp Viewing Angle(°)	Input Voltage (V)
SS-GU10-2807P-5W	aluminum with plastic outside	5W	380-420	49.8x52.2	Warm White/Pure White/White	38°	AC85-265V

## Features:

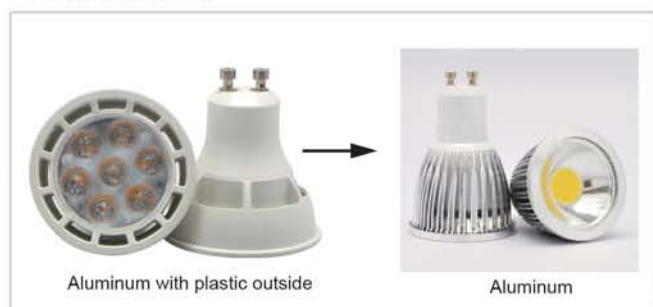
- (1) the quality of light shape under the same condition, the weight is only aluminum alloy 2/3.
- (2) cleaner production processes, and die cast aluminium casing will cause serious pollution to the water and soil.
- (3) improve the degree of freedom of design and design more complex shapes. Processing of aluminum shell can not carry out a more complex shape.
- (4) the processing is convenient, high efficiency.
- (5) high insulation resistance.
- (6) reduce the manufacturing cost of production.

## Application:

1. widely used for home, shopping center and office lighting and decoration of park, stage etc.
2. task lighting for cabinets, cupboards etc in your homes, restaurants, and kitchens or any other places where accent lighting is required.
3. led spotlight for the articles in ylor stores and shops.
4. jewellery showcase lighting.
5. bars, coffee house lighting.
6. suitable for products DIY store, hardware store, lighting store Malls, supermarket selling and lighting.



## Contrast material





**SS-GU10-2805P-5W**

Model Number	Lamp Body Material	Lamp Power (W)	Lamp Luminous Flux(lm)	Size (mm)	CCT (K)	Lamp Viewing Angle(°)	Input Voltage (V)
SS-GU10-2805P-5W	aluminum with plastic outside	5W	350-400	49.8x52.2	Warm White/Pure White/White	38°	AC85-265V

**Features:**

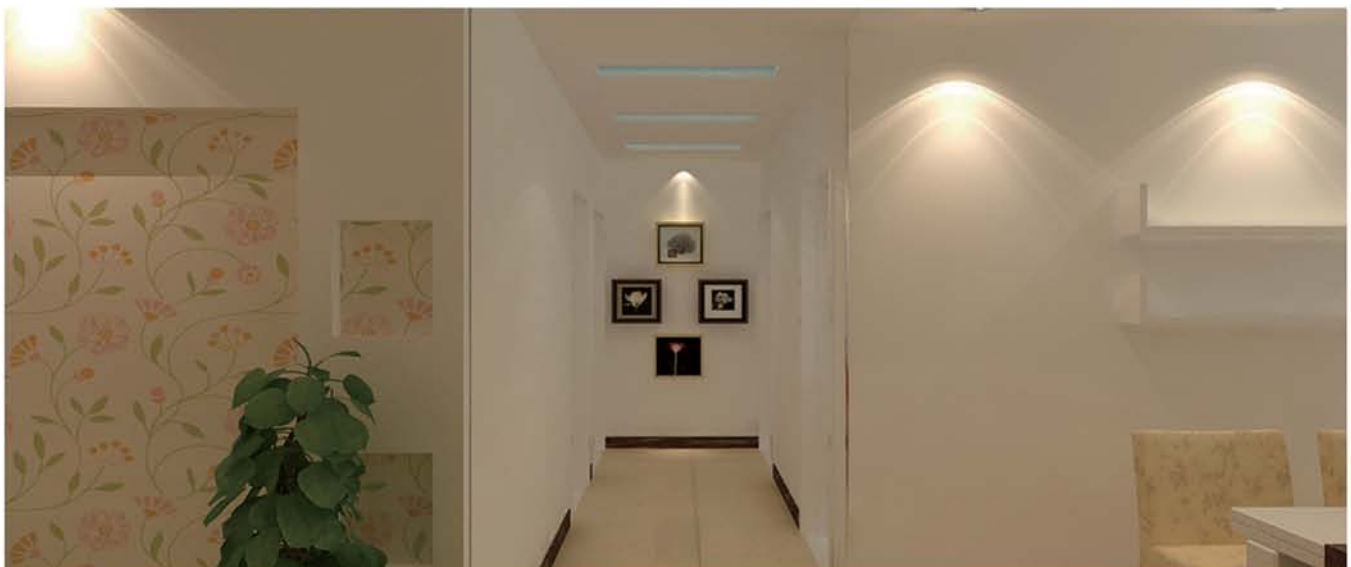


- (1) the quality of light shape under the same condition, the weight is only aluminum alloy 2/3.
- (2) cleaner production processes, and die cast aluminium casing will cause serious pollution to the water and soil.
- (3) improve the degree of freedom of design and design more complex shapes. Processing of aluminum shell can not carry out a more complex shape.
- (4) the processing is convenient, high efficiency.
- (5) high insulation resistance.
- (6) reduce the manufacturing cost of production.

**Application:**

- 1.widely used for home,shopping center and office lighting and decoration of park,stage etc.
- 2.task lighting for cabinets, cupboards etc in your homes,restaurants,and kitchens or any other places where accent lighting is required.
- 3.led spotlight for the articles in ylor stores and shops.
- 4.jewellery showcase lighting.
- 5.bars,coffee house lighting.
- 6.suitable for products DIY store, hardware store, lighting store Malls,supermarket selling and lighting.

**Contrast material**



# LED SPOTLIGHT



SS-GU10-SMDP-5W

Model Number	Lamp Body Material	Lamp Power (W)	Lamp Luminous Flux(lm)	Size (mm)	CCT (K)	Lamp Viewing Angle(°)	Input Voltage (V)
SS-GU10-SMDP-5W	aluminum with plastic outside	5W	380-420	50x52	Warm White/Pure White/White	38°	AC85-265V

## Features:

- (1) the quality of light shape under the same condition, the weight is only aluminum alloy 2/3.
- (2) cleaner production processes, and die cast aluminium casing will cause serious pollution to the water and soil.
- (3) improve the degree of freedom of design and design more complex shapes. Processing of aluminum shell can not carry out a more complex shape.
- (4) the processing is convenient, high efficiency.
- (5) high insulation resistance.
- (6) reduce the manufacturing cost of production.



## Application:

- 1.widely used for home,shopping center and office lighting and decoration of park,stage etc.
- 2.task lighting for cabinets, cupboards etc in your homes,restaurants,and kitchens or any other places where accent lighting is required.
- 3.led spotlight for the articles in ylor stores and shops.
- 4.jewellery showcase lighting.
- 5.bars,coffee house lighting.
- 6.suitable for products DIY store, hardware store, lighting store Malls,supermarket selling and lighting.

## Contrast material





**SS-MR16-2825P-5W**

Model Number	Lamp Body Material	Lamp Power (W)	Lamp Luminous Flux(lm)	Size (mm)	CCT (K)	Lamp Viewing Angle(°)	Input Voltage (V)
SS-MR16-2825P-5W	aluminum with plastic outside	5W	380-420	49.8x46	Warm White/Pure White/White	38°	AC85-265V

**Features:**

- (1) the quality of light shape under the same condition, the weight is only aluminum alloy 2/3.
- (2) cleaner production processes, and die cast aluminium casing will cause serious pollution to the water and soil.
- (3) improve the degree of freedom of design and design more complex shapes. Processing of aluminum shell can not carry out a more complex shape.
- (4) the processing is convenient, high efficiency.
- (5) high insulation resistance.
- (6) reduce the manufacturing cost of production.

**Application:**

- 1.widely used for home,shopping center and office lighting and decoration of park,stage etc.
- 2.task lighting for cabinets, cupboards etc in your homes,restaurants,and kitchens or any other places where accent lighting is required.
- 3.led spotlight for the articles in ylor stores and shops.
- 4.jewellery showcase lighting.
- 5.bars,coffee house lighting.
- 6.suitable for products DIY store, hardware store, lighting store Malls,supermarket selling and lighting.



**Contrast material**



# LED SPOTLIGHT



SS-GU10-COBS-5W

Model Number	Lamp Body Material	Lamp Power (W)	Lamp Luminous Flux(lm)	Size (mm)	CCT (K)	Lamp Viewing Angle(°)	Input Voltage (V)
SS-GU10-COBS-5W	aluminum with plastic outside	5W	380-420	47.6X56	Warm White/Pure White/White	60°	AC85-265V
SS-MR16-COBS-5W	aluminum with plastic outside	5W	380-420	47.6X56	Warm White/Pure White/White	60°	AC/DC12V

## Features:

- (1) the quality of light shape under the same condition, the weight is only aluminum alloy 2/3.
- (2) cleaner production processes, and die cast aluminium casing will cause serious pollution to the water and soil.
- (3) improve the degree of freedom of design and design more complex shapes. Processing of aluminum shell can not carry out a more complex shape.
- (4) the processing is convenient, high efficiency.
- (5) high insulation resistance.
- (6) reduce the manufacturing cost of production.

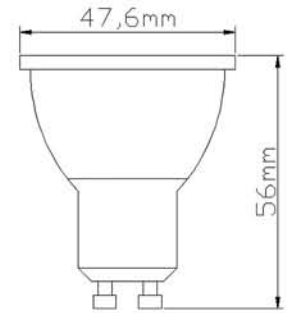
## Application:

1. widely used for home, shopping center and office lighting and decoration of park, stage etc.
2. task lighting for cabinets, cupboards etc in your homes, restaurants, and kitchens or any other places where accent lighting is required.
3. led spotlight for the articles in ylor stores and shops.
4. jewellery showcase lighting.
5. bars, coffee house lighting.
6. suitable for products DIY store, hardware store, lighting store Malls, supermarket selling and lighting.



## Contrast material





SS-GU10-COBA-5W

Model Number	Lamp Body Material	Lamp Power (W)	Lamp Luminous Flux(lm)	Size (mm)	CCT (K)	Lamp Viewing Angle(°)	Input Voltage (V)
SS-GU10-COBA-5W	Aluminum	5W	380-420	47.6x56	Warm White/Pure White/White	60°	AC85-265V
SS-MR16-COBA-5W	Aluminum	5W	380-420	47.6x56	Warm White/Pure White/White	60°	AC/DC12V



**Features:**

- (1) the quality of light shape under the same condition, the weight is only aluminum alloy 2/3.
- (2) cleaner production processes, and die cast aluminium casing will cause serious pollution to the water and soil.
- (3) improve the degree of freedom of design and design more complex shapes. Processing of aluminum shell can not carry out a more complex shape.
- (4) the processing is convenient, high efficiency.
- (5) high insulation resistance.
- (6) reduce the manufacturing cost of production.

**Application:**

- 1.widely used for home,shopping center and office lighting and decoration of park,stage etc.
- 2.task lighting for cabinets, cupboards etc in your homes,restaurants,and kitchens or any other places where accent lighting is required.
- 3.led spotlight for the articles in ylor stores and shops.
- 4.jewellery showcase lighting.
- 5.bars,coffee house lighting.
- 6.suitable for products DIY store, hardware store, lighting store Malls,supermarket selling and lighting.

**Contrast material**



# LED SPOTLIGHT



SS-GU10-COBF-5W

Model Number	Lamp Body Material	Lamp Power (W)	Lamp Luminous Flux(lm)	Size (mm)	CCT (K)	Lamp Viewing Angle(°)	Input Voltage (V)
SS-GU10-COBF-5W	aluminum	5W	400-450	50x57	Warm White/Pure White/White	30°/60°/120°	AC85-265V



## Features:

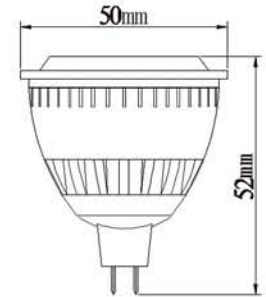
- 1.energy-saving:70%-80%energy compared with traditional spotlight.
- 2.adopt the super LED chips which have high lumen and low light loss, light loss is less than 5% during 3000 hours.
- 3.environmental-friendly:NO UV & infrared and other radiation, shock & vibration resistant.
- 4.long life-span:more than 50000 hours.
- 5.minimum maintenance required.

## Application:

- 1.widely used for home,shopping center and office lighting and decoration of park,stage etc.
- 2.task lighting for cabinets, cupboards etc in your homes,restaurants,and kitchens or any other places where accent lighting is required.
- 3.led spotlight for the articles in ylor stores and shops.
- 4.jewellery showcase lighting.
- 5.bars,coffee house lighting.
- 6.suitable for products DIY store, hardware store, lighting store Malls,supermarket selling and lighting.

## Brightness contrast





**SS-MR16-COBE-5W**

Model Number	Lamp Body Material	Lamp Power (W)	Lamp Luminous Flux(lm)	Size (mm)	CCT (K)	Lamp Viewing Angle(°)	Input Voltage (V)
SS-MR16-COBE-5W	aluminum	5W	400-450	50x52	Warm White/Pure White/White	30°/60°/120°	AC/DC12V



**Features:**

- 1.energy-saving:70%-80%energy compared with traditional spotlight.
- 2.adopt the super LED chips which have high lumen and low light loss, light loss is less than 5% during 3000 hours.
- 3.environmental-friendly:NO UV & infrared and other radiation, shock & vibration resistant.
- 4.long life-span:more than 50000 hours.
- 5.minimum maintenance required.

**Application:**

- 1.widely used for home,shopping center and office lighting and decoration of park,stage etc.
- 2.task lighting for cabinets, cupboards etc in your homes,restaurants,and kitchens or any other places where accent lighting is required.
- 3.led spotlight for the articles in ylor stores and shops.
- 4.jewellery showcase lighting.
- 5.bars,coffee house lighting.
- 6.suitable for products DIY store, hardware store, lighting store Malls,supermarket selling and lighting.

**Brightness contrast**



# LED COB Light

## Features:

1. energy-saving: 70%-80% energy compared with traditional spotlight.
2. adopt the super LED chips which have high lumen and low light loss, light loss is less than 5% during 3000 hours.
3. environmental-friendly: NO UV & infrared and other radiation, shock & vibration resistant.
4. long life-span: more than 50000 hours.
5. minimum maintenance required.

## Application:

1. widely used for home, shopping center and office lighting and decoration of park, stage etc.
2. task lighting for cabinets, cupboards etc in your homes, restaurants, and kitchens or any other places where accent lighting is required.
3. led spotlight for the articles in your stores and shops.
4. jewellery showcase lighting.
5. bars, coffee house lighting.
6. suitable for products DIY store, hardware store, lighting store Malls, supermarket selling and lighting.



SS-GU10-COB-5W1



SS-GU10-COB-7W1



SS-GU10-COB-9W1

Model Number	Lamp Body Material	Lamp Power (W)	Lamp Luminous Flux(lm)	Size (mm)	CCT (K)	Lamp Viewing Angle(°)	Input Voltage (V)
SS-GU10-COB-5W1	Aluminum	5W	400-450	50x58	Warm White/Pure White/White	30°/60°	AC85-265V
SS-GU10-COB-7W1	Aluminum	7W	550-600	50x83	Warm White/Pure White/White	30°/60°	AC85-265V
SS-GU10-COB-9W1	Aluminum	9W	650-700	50x108.7	Warm White/Pure White/White	30°/60°	AC85-265V



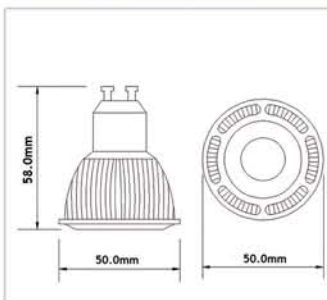


SS-GU10-COB-5W2

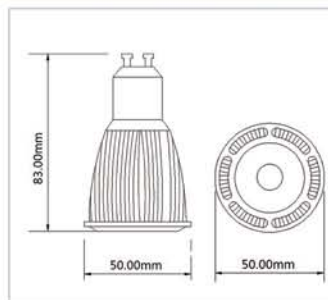


SS-GU10-COB-7W2

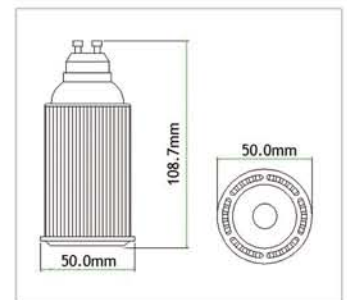
Model Number	Lamp Body Material	Lamp Power (W)	Lamp Luminous Flux(lm)	Size (mm)	CCT (K)	Lamp Viewing Angle(°)	Input Voltage (V)
SS-GU10-COB-5W2	Aluminum	5W	400-450	50x57	Warm White/Pure White/White	120°	AC85-265V
SS-GU10-COB-7W2	Aluminum	7W	550-600	50x83	Warm White/Pure White/White	120°	AC85-265V



SS-GU10-COB-5W1



SS-GU10-COB-7W1



SS-GU10-COB-9W1

Brightness contrast



# LED SMD Spotlight



SS-GU10-2809-4W

## Features:

- 1.energy-saving:70%-80%energy compared with traditional spotlight.
- 2.adopt the super LED chips which have high lumen and low light loss, light loss is less than 5% during 3000 hours.
- 3.environmental-friendly:NO UV & infrared and other radiation, shock & vibration resistant.
- 4.long life-span:more than 50000 hours.
- 5.minimum maintenance required.

## Application:

- 1.widely used for home,shopping center and office lighting and decoration of park,stage etc.
- 2.task lighting for cabinets, cupboards etc in your homes,restaurants,and kitchens or any other places where accent lighting is required.
- 3.led spotlight for the articles in ytur stores and shops.
- 4.jewellery showcase lighting.
- 5.bars,coffee house lighting.
- 6.suitable for products DIY store, hardware store, lighting store Malls,supermarket selling and lighting.



SS-GU10-2818-3W

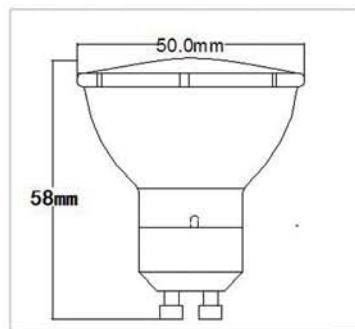
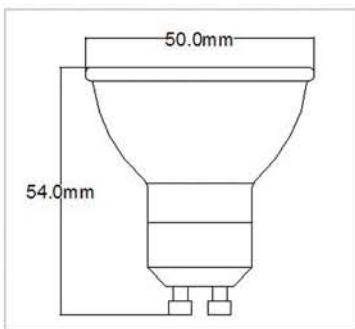


SS-GU10-2821-3.5W



SS-GU10-2824-4W

Model Number	Lamp Body Material	Lamp Power (W)	Lamp Luminous Flux(lm)	Size (mm)	CCT (K)	Lamp Viewing Angle(°)	Input Voltage (V)
SS-GU10-2818-3W	Glass	3W	220-240	50x52	Warm White/Pure White/White	24°	AC85-265V
SS-GU10-2821-3.5W	Glass	3.5W	270-320	50x52	Warm White/Pure White/White	24°	AC85-265V
SS-GU10-2824-4W	Glass	4W	320-350	50x52	Warm White/Pure White/White	24°	AC85-265V
SS-GU10-2809-3W	Glass	3W	230-260	50x52	Warm White/Pure White/White	24°	AC85-265V
SS-GU10-2809-3W	Glass	4W	320-360	50x52	Warm White/Pure White/White	24°	AC85-265V



Brightness contrast



# LED Bulb



SS-C37-28121-5W

## Features:

- (1) the quality of light shape under the same condition, the weight is only aluminum alloy 2/3.
- (2) cleaner production processes, and die cast aluminium casing will cause serious pollution to the water and soil.
- (3) improve the degree of freedom of design and design more complex shapes. Processing of aluminum shell can not carry out a more complex shape.
- (4) the processing is convenient, high efficiency.
- (5) high insulation resistance.
- (6) reduce the manufacturing cost of production.

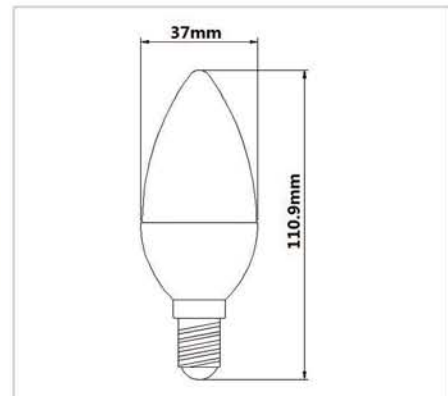
## Application:

- 1.widely used for home,shopping center and office lighting and decoration of park,stage etc.
- 2.task lighting for cabinets, cupboards etc in your homes,restaurants,and kitchens or any other places where accent lighting is required.
- 3.led spotlight for the articles in yltor stores and shops.
- 4.jewellery showcase lighting.
- 5.bars,coffee house lighting.
- 6.suitable for products DIY store, hardware store, lighting store Malls,supermarket selling and lighting.

## Brightness contrast



Model Number	Lamp Body Material	Lamp Power (W)	Lamp Luminous Flux(lm)	Size (mm)	CCT (K)	Lamp Viewing Angle(°)	Input Voltage (V)
SS-C37-28121-5W	aluminum with plastic outside	5W	400-450	37x110.9	Warm White/Pure White/White	270°	AC85-265V
SS-C37-28122-5W	aluminum with plastic outside	5W	400-450	37x110.9	Warm White/Pure White/White	270°	AC85-265V





SS-G45-28121-4W

**Features:**

- (1) the quality of light shape under the same condition, the weight is only aluminum alloy 2/3.
- (2) cleaner production processes, and die cast aluminium casing will cause serious pollution to the water and soil.
- (3) improve the degree of freedom of design and design more complex shapes. Processing of aluminum shell can not carry out a more complex shape.
- (4) the processing is convenient, high efficiency.
- (5) high insulation resistance.
- (6) reduce the manufacturing cost of production.

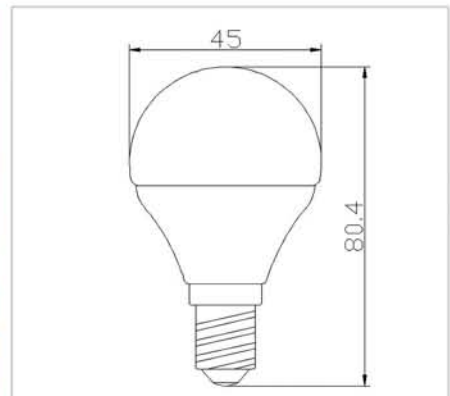
**Application:**

1. widely used for home, shopping center and office lighting and decoration of park, stage etc.
2. task lighting for cabinets, cupboards etc in your homes, restaurants, and kitchens or any other places where accent lighting is required.
3. led spotlight for the articles in ylor stores and shops.
4. jewellery showcase lighting.
5. bars, coffee house lighting.
6. suitable for products DIY store, hardware store, lighting store Malls, supermarket selling and lighting.

**Brightness contrast**



Model Number	Lamp Body Material	Lamp Power (W)	Lamp Luminous Flux(lm)	Size (mm)	CCT (K)	Lamp Viewing Angle(°)	Input Voltage (V)
SS-G45-28121-4W	aluminum with plastic outside	5W	400-450	45x80.4	Warm White/Pure White/White	270°	AC85-265V
SS-G45-28122-4W	aluminum with plastic outside	5W	400-450	45x80.4	Warm White/Pure White/White	270°	AC85-265V



# LED Bulb



SS-A60-2820-6W

## Features:

- (1) the quality of light shape under the same condition, the weight is only aluminum alloy 2/3.
- (2) cleaner production processes, and die cast aluminium casing will cause serious pollution to the water and soil.
- (3) improve the degree of freedom of design and design more complex shapes. Processing of aluminum shell can not carry out a more complex shape.
- (4) the processing is convenient, high efficiency.
- (5) high insulation resistance.
- (6) reduce the manufacturing cost of production.

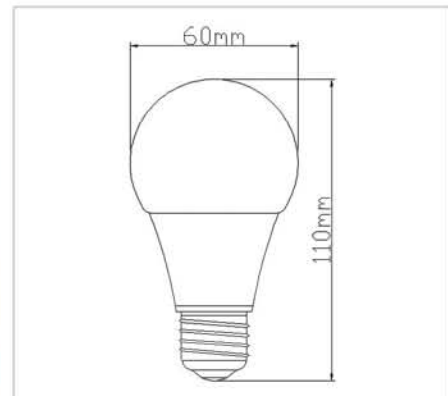
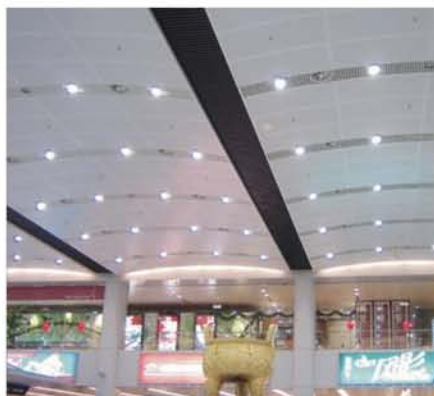
## Application:

1. widely used for home, shopping center and office lighting and decoration of park, stage etc.
2. task lighting for cabinets, cupboards etc in your homes, restaurants, and kitchens or any other places where accent lighting is required.
3. led spotlight for the articles in ylor stores and shops.
4. jewellery showcase lighting.
5. bars, coffee house lighting.
6. suitable for products DIY store, hardware store, lighting store Malls, supermarket selling and lighting.

## Brightness contrast



Model Number	Lamp Body Material	Lamp Power (W)	Lamp Luminous Flux(lm)	Size (mm)	CCT (K)	Lamp Viewing Angle(°)	Input Voltage (V)
SS-A60-2820-6W	aluminum with plastic outside	6W	500-550	60x110	Warm White/Pure White/White	270°	AC85-265V





SS-A60-2820-9W

**Features:**

- (1) the quality of light shape under the same condition, the weight is only aluminum alloy 2/3.
- (2) cleaner production processes, and die cast aluminium casing will cause serious pollution to the water and soil.
- (3) improve the degree of freedom of design and design more complex shapes. Processing of aluminum shell can not carry out a more complex shape.
- (4) the processing is convenient, high efficiency.
- (5) high insulation resistance.
- (6) reduce the manufacturing cost of production.

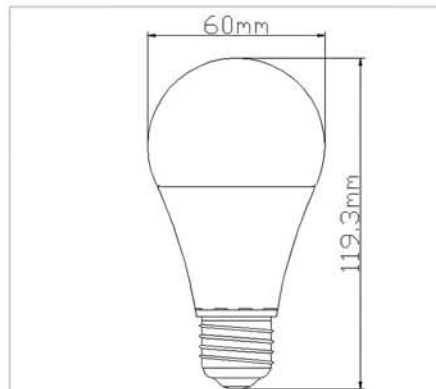
**Application:**

- 1.widely used for home,shopping center and office lighting and decoration of park,stage etc.
- 2.task lighting for cabinets, cupboards etc in your homes,restaurants,and kitchens or any other places where accent lighting is required.
- 3.led spotlight for the articles in ylor stores and shops.
- 4.jewellery showcase lighting.
- 5.bars,coffee house lighting.
- 6.suitable for products DIY store, hardware store, lighting store Malls,supermarket selling and lighting.

**Brightness contrast**



Model Number	Lamp Body Material	Lamp Power (W)	Lamp Luminous Flux(lm)	Size (mm)	CCT (K)	Lamp Viewing Angle(°)	Input Voltage (V)
SS-A60-2820-9W	aluminum with plastic outside	9W	800-850	60x119.3	Warm White/Pure White/White	270°	AC85-265V



# LED Bulb



SS-A60-2814-7W

### Features:

- (1) the quality of light shape under the same condition, the weight is only aluminum alloy 2/3.
- (2) cleaner production processes, and die cast aluminium casing will cause serious pollution to the water and soil.
- (3) improve the degree of freedom of design and design more complex shapes. Processing of aluminum shell can not carry out a more complex shape.
- (4) the processing is convenient, high efficiency.
- (5) high insulation resistance.
- (6) reduce the manufacturing cost of production.

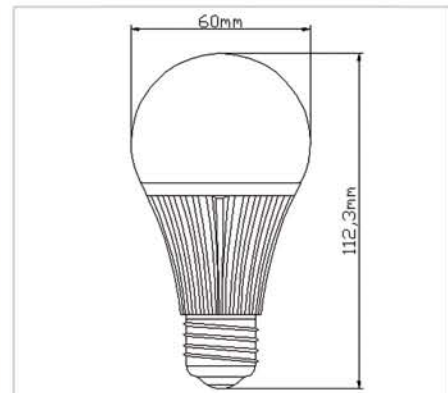
### Application:

1. widely used for home, shopping center and office lighting and decoration of park, stage etc.
2. task lighting for cabinets, cupboards etc in your homes, restaurants, and kitchens or any other places where accent lighting is required.
3. led spotlight for the articles in ylor stores and shops.
4. jewellery showcase lighting.
5. bars, coffee house lighting.
6. suitable for products DIY store, hardware store, lighting store Malls, supermarket selling and lighting.

### Brightness contrast



Model Number	Lamp Body Material	Lamp Power (W)	Lamp Luminous Flux(lm)	Size (mm)	CCT (K)	Lamp Viewing Angle(°)	Input Voltage (V)
SS-A60-2814-7W	aluminum with plastic outside	7W	630-680	60x112.3	Warm White/Pure White/White	270°	AC85-265V
SS-A60-2820-10W	aluminum with plastic outside	10W	920-960	60x112.3	Warm White/Pure White/White	270°	AC85-265V





SS-A70-2824-12W

**Features:**

- (1) the quality of light shape under the same condition, the weight is only aluminum alloy 2/3.
- (2) cleaner production processes, and die cast aluminium casing will cause serious pollution to the water and soil.
- (3) improve the degree of freedom of design and design more complex shapes. Processing of aluminum shell can not carry out a more complex shape.
- (4) the processing is convenient, high efficiency.
- (5) high insulation resistance.
- (6) reduce the manufacturing cost of production.

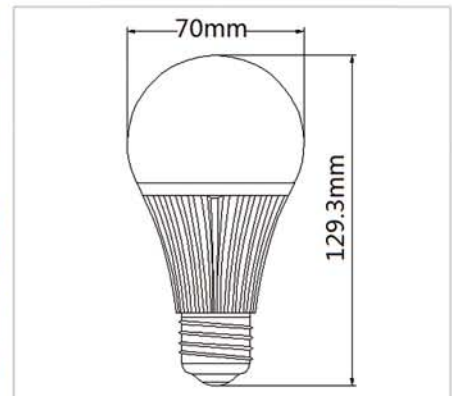
**Application:**

- 1.widely used for home,shopping center and office lighting and decoration of park,stage etc.
- 2.task lighting for cabinets, cupboards etc in your homes,restaurants,and kitchens or any other places where accent lighting is required.
- 3.led spotlight for the articles in ylor stores and shops.
- 4.jewellery showcase lighting.
- 5.bars,coffee house lighting.
- 6.suitable for products DIY store, hardware store, lighting store Malls,supermarket selling and lighting.

**Brightness contrast**



Model Number	Lamp Body Material	Lamp Power (W)	Lamp Luminous Flux(lm)	Size (mm)	CCT (K)	Lamp Viewing Angle(°)	Input Voltage (V)
SS-A70-2824-12W	aluminum with plastic outside	12W	1100-1150	70x119.3	Warm White/Pure White/White	270°	AC85-265V



# LED SMD Bulb



SS-G50S-5W

SS-G60S-7W

SS-G60S-10W

SS-G70-12W

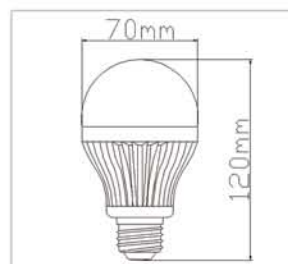
Model Number	Lamp Body Material	Lamp Power (W)	Lamp Luminous Flux(lm)	Size (mm)	CCT (K)	Lamp Viewing Angle(°)	Input Voltage (V)
SS-G50S-5W	aluminum with plastic outside	5W	400-450	50x88.3	Warm White/Pure White/White	180°	AC85-265V
SS-G60S-7W	aluminum with plastic outside	7W	550-600	60x106.5	Warm White/Pure White/White	180°	AC85-265V
SS-G60S-10W	aluminum with plastic outside	10W	880-930	60x110	Warm White/Pure White/White	180°	AC85-265V
SS-G70-12W	aluminum with plastic outside	12W	1050-1100	70x120	Warm White/Pure White/White	180°	AC85-265V
SS-G955-15W	aluminum with plastic outside	15W	1300-1350	95x140	Warm White/Pure White/White	180°	AC85-265V



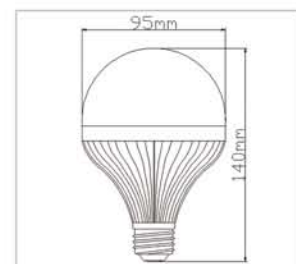
SS-G50S-5W



SS-G60S-7W



SS-G60S-10W



SS-G70-12W



SS-G45C-4W



Model Number	Lamp Body Material	Lamp Power (W)	Lamp Luminous Flux(lm)	Size (mm)	CCT (K)	Lamp Viewing Angle(°)	Input Voltage (V)
SS-G45C-4W	ceramic	4W	300-350	45x80	Warm White/Pure White/White	270°	AC85-265V



**Features:**

- (1) the quality of light shape under the same condition, the weight is only aluminum alloy 2/3.
- (2) cleaner production processes, and die cast aluminium casing will cause serious pollution to the water and soil.
- (3) improve the degree of freedom of design and design more complex shapes. Processing of aluminum shell can not carry out a more complex shape.
- (4) the processing is convenient, high efficiency.
- (5) high insulation resistance.
- (6) reduce the manufacturing cost of production.

**Application:**

- 1.widely used for home,shopping center and office lighting and decoration of park,stage etc.
- 2.task lighting for cabinets, cupboards etc in your homes,restaurants,and kitchens or any other places where accent lighting is required.
- 3.led spotlight for the articles in ylor stores and shops.
- 4.jewellery showcase lighting.
- 5.bars,coffee house lighting.
- 6.suitable for products DIY store, hardware store, lighting store Malls,supermarket selling and lighting.

**Contrast material**



# LED Bulb

## Features:

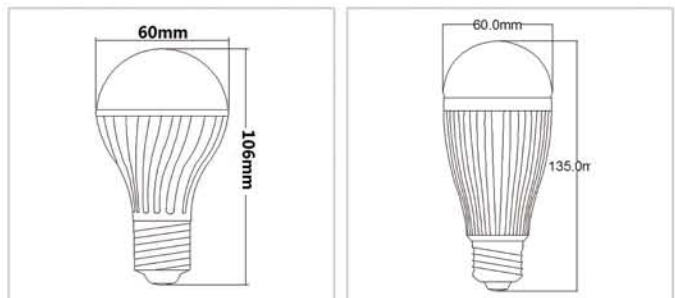
- 1.energy-saving:70%-80%energy compared with traditional spotlight.
- 2.adopt the super LED chips which have high lumen and low light loss, light loss is less than 5% during 3000 hours.
- 3.environmental-friendly:NO UV & infrared and other radiation, shock & vibration resistant.
- 4.long life-span:more than 50000 hours.
- 5.minimum maintenance required.

## Application:

- 1.widely used for home,shopping center and office lighting and decoration of park,stage etc.
- 2.task lighting for cabinets, cupboards etc in your homes,restaurants,and kitchens or any other places where accent lighting is required.
- 3.led spotlight for the articles in ylr stores and shops.
- 4.jewellery showcase lighting.
- 5.bars,coffee house lighting.
- 6.suitable for products DIY store, hardware store, lighting store Malls,supermarket selling and lighting.



Model Number	Lamp Body Material	Lamp Power (W)	Lamp Luminous Flux(lm)	Size (mm)	CCT (K)	Lamp Viewing Angle(°)	Input Voltage (V)
SS-G60A-7W	aluminum	7W	560-600	60x135	Warm White/Pure White/White	180°	AC85-265V
SS-G60C-9W	ceramic	9W	720-750	60x106	Warm White/Pure White/White	180°	AC85-265V



G60 E27-9WSMD2835

G60 E27-7WC0B



SS-C37C-3W



SS-C37C-4W



Model Number	Lamp Body Material	Lamp Power (W)	Lamp Luminous Flux(lm)	Size (mm)	CCT (K)	Lamp Viewing Angle(°)	Input Voltage (V)
SS-C37C-3W	ceramic	3W	220-240	37x102	Warm White/Pure White/White	180°	AC85-265V
SS-C37C-4W	ceramic	4W	250-280	37x110	Warm White/Pure White/White	180°	AC85-265V



SS-G45C-282-4W



SS-G45C-281-4W



SS-G45C-COB2-4W



SS-G45C-COB1-4W

Model Number	Lamp Body Material	Lamp Power (W)	Lamp Luminous Flux(lm)	Size (mm)	CCT (K)	Lamp Viewing Angle(°)	Input Voltage (V)
SS-G45C-282-4W	ceramic	4W	300-350	45x80	Warm White/Pure White/White	180°	AC85-265V
SS-G45C-281-4W	ceramic	4W	300-350	45x80	Warm White/Pure White/White	180°	AC85-265V
SS-G45C-COB2-4W	ceramic	4W	300-350	45x80	Warm White/Pure White/White	270°	AC85-265V
SS-G45C-COB1-4W	ceramic	4W	300-350	45x80	Warm White/Pure White/White	270°	AC85-265V



# LED Bulb



SS-R50P2-5W

Model Number	Lamp Body Material	Lamp Power (W)	Lamp Luminous Flux(lm)	Size (mm)	CCT (K)	Lamp Viewing Angle(°)	Input Voltage (V)
SS-R50P2-5W	aluminum with plastic outside	5W	400-450	50x85	Warm White/Pure White/White	180°	AC85-265V
SS-R50P1-5W	aluminum with plastic outside	5W	400-450	50x85.26	Warm White/Pure White/White	180°	AC85-265V



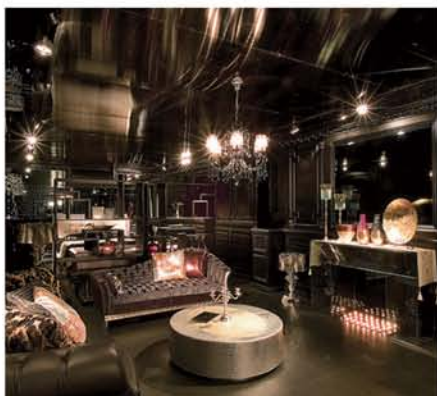
### Features:

- (1) the quality of light shape under the same condition, the weight is only aluminum alloy 2/3.
- (2) cleaner production processes, and die cast aluminium casing will cause serious pollution to the water and soil.
- (3) improve the degree of freedom of design and design more complex shapes. Processing of aluminum shell can not carry out a more complex shape.
- (4) the processing is convenient, high efficiency.
- (5) high insulation resistance.
- (6) reduce the manufacturing cost of production.

### Application:

- 1.widely used for home,shopping center and office lighting and decoration of park,stage etc.
- 2.task lighting for cabinets, cupboards etc in your homes,restaurants,and kitchens or any other places where accent lighting is required.
- 3.led spotlight for the articles in ylor stores and shops.
- 4.jewellery showcase lighting.
- 5.bars,coffee house lighting.
- 6.suitable for products DIY store, hardware store, lighting store Malls,supermarket selling and lighting.

### Brightness contrast





SS-R63P2-7W

Model Number	Lamp Body Material	Lamp Power (W)	Lamp Luminous Flux(lm)	Size (mm)	CCT (K)	Lamp Viewing Angle(°)	Input Voltage (V)
SS-R63P2-7W	aluminum with plastic outside	7W	560-600	63x102	Warm White/Pure White/White	180°	AC85-265V
SS-R63P1-7W	aluminum with plastic outside	7W	560-600	63x102	Warm White/Pure White/White	180°	AC85-265V



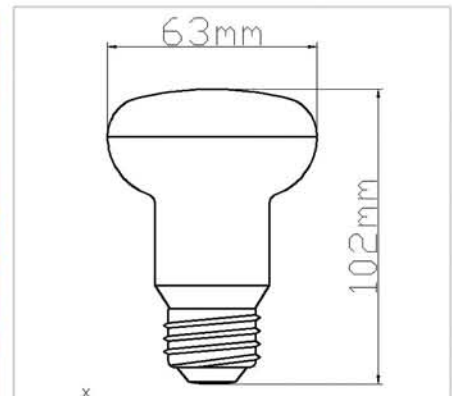
**Features:**

- (1) the quality of light shape under the same condition, the weight is only aluminum alloy 2/3.
- (2) cleaner production processes, and die cast aluminium casing will cause serious pollution to the water and soil.
- (3) improve the degree of freedom of design and design more complex shapes. Processing of aluminum shell can not carry out a more complex shape.
- (4) the processing is convenient, high efficiency.
- (5) high insulation resistance.
- (6) reduce the manufacturing cost of production.

**Application:**

- 1.widely used for home,shopping center and office lighting and decoration of park,stage etc.
- 2.task lighting for cabinets, cupboards etc in your homes,restaurants,and kitchens or any other places where accent lighting is required.
- 3.led spotlight for the articles in ylor stores and shops.
- 4.jewellery showcase lighting.
- 5.bars,coffee house lighting.
- 6.suitable for products DIY store, hardware store, lighting store Malls,supermarket selling and lighting.

**Brightness contrast**



# LED Bulb



SS-R80P2-10W

Model Number	Lamp Body Material	Lamp Power (W)	Lamp Luminous Flux(lm)	Size (mm)	CCT (K)	Lamp Viewing Angle(°)	Input Voltage (V)
SS-R80P2-10W	aluminum with plastic outside	10W	850-900	80x110	Warm White/Pure White/White	180°	AC85-265V
SS-R80P1-10W	aluminum with plastic outside	10W	850-900	80x110	Warm White/Pure White/White	180°	AC85-265V



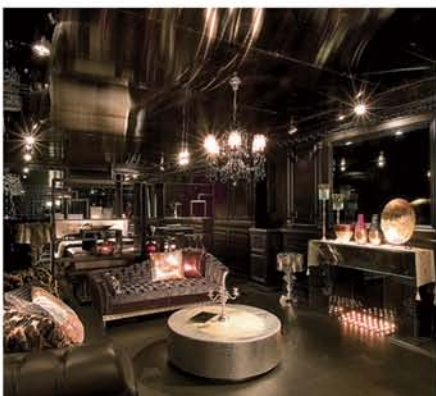
## Features:

- (1) the quality of light shape under the same condition, the weight is only aluminum alloy 2/3.
- (2) cleaner production processes, and die cast aluminium casing will cause serious pollution to the water and soil.
- (3) improve the degree of freedom of design and design more complex shapes. Processing of aluminum shell can not carry out a more complex shape.
- (4) the processing is convenient, high efficiency.
- (5) high insulation resistance.
- (6) reduce the manufacturing cost of production.

## Application:

- 1.widely used for home,shopping center and office lighting and decoration of park,stage etc.
- 2.task lighting for cabinets, cupboards etc in your homes,restaurants,and kitchens or any other places where accent lighting is required.
- 3.led spotlight for the articles in ylur stores and shops.
- 4.jewellery showcase lighting.
- 5.bars,coffee house lighting.
- 6.suitable for products DIY store, hardware store, lighting store Malls,supermarket selling and lighting.

## Brightness contrast





SS-R95P2-15W

Model Number	Lamp Body Material	Lamp Power (W)	Lamp Luminous Flux(lm)	Size (mm)	CCT (K)	Lamp Viewing Angle(°)	Input Voltage (V)
SS-R95P2-15W	aluminum with plastic outside	15W	1200-1250	95x128.5	Warm White/Pure White/White	180°	AC85-265V
SS-R95P1-15W	aluminum with plastic outside	15W	1200-1250	95x118.5	Warm White/Pure White/White	180°	AC85-265V



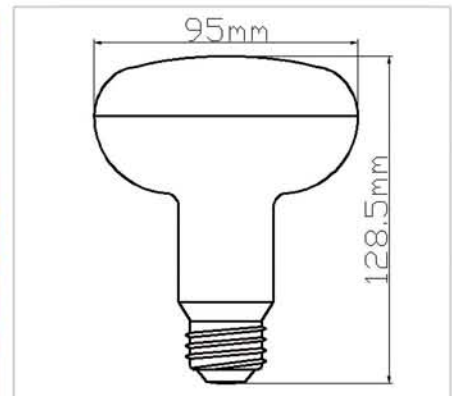
**Features:**

- (1) the quality of light shape under the same condition, the weight is only aluminum alloy 2/3.
- (2) cleaner production processes, and die cast aluminium casing will cause serious pollution to the water and soil.
- (3) improve the degree of freedom of design and design more complex shapes. Processing of aluminum shell can not carry out a more complex shape.
- (4) the processing is convenient, high efficiency.
- (5) high insulation resistance.
- (6) reduce the manufacturing cost of production.

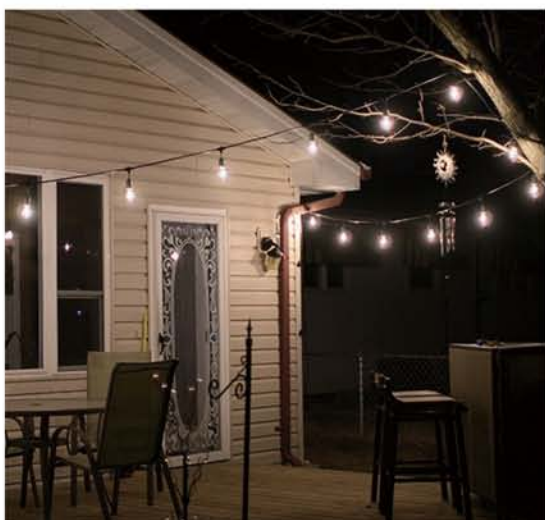
**Application:**

- 1.widely used for home,shopping center and office lighting and decoration of park,stage etc.
- 2.task lighting for cabinets, cupboards etc in your homes,restaurants,and kitchens or any other places where accent lighting is required.
- 3.led spotlight for the articles in ylor stores and shops.
- 4.jewellery showcase lighting.
- 5.bars,coffee house lighting.
- 6.suitable for products DIY store, hardware store, lighting store Malls,supermarket selling and lighting.

**Brightness contrast**



# LED Bulb



## Features:

1. energy-saving: 70%-80% energy compared with traditional spotlight.
2. adopt the super LED chips which have high lumen and low light loss, light loss is less than 5% during 3000 hours.
3. environmental-friendly: NO UV & infrared and other radiation, shock & vibration resistant.
4. long life-span: more than 50000 hours.
5. minimum maintenance required.

## Application:

1. widely used for home, shopping center and office lighting and decoration of park, stage etc.
2. task lighting for cabinets, cupboards etc in your homes, restaurants, and kitchens or any other places where accent lighting is required.
3. led spotlight for the articles in your stores and shops.
4. jewellery showcase lighting.
5. bars, coffee house lighting.
6. suitable for products DIY store, hardware store, lighting store Malls, supermarket selling and lighting.



SS-C35FBT-2W



SS-C35FBT-3W



SS-C35F-4W



SS-A60F-6W

Model Number	Lamp Body Material	Lamp Power (W)	Lamp Luminous Flux(lm)	Size (mm)	CCT (K)	Lamp Viewing Angle(°)	Input Voltage (V)
SS-C35FBT-2W	glass	2W	160-200	37x120	Warm White/Pure White/White	360°	AC85-265V
SS-C35FBT-3W	glass	3W	220-250	37x120	Warm White/Pure White/White	360°	AC85-265V
SS-C35F-4W	glass	4W	300-350	37x110	Warm White/Pure White/White	360°	AC85-265V
SS-A60F-6W	glass	6W	450-500	60x102	Warm White/Pure White/White	360°	AC85-265V



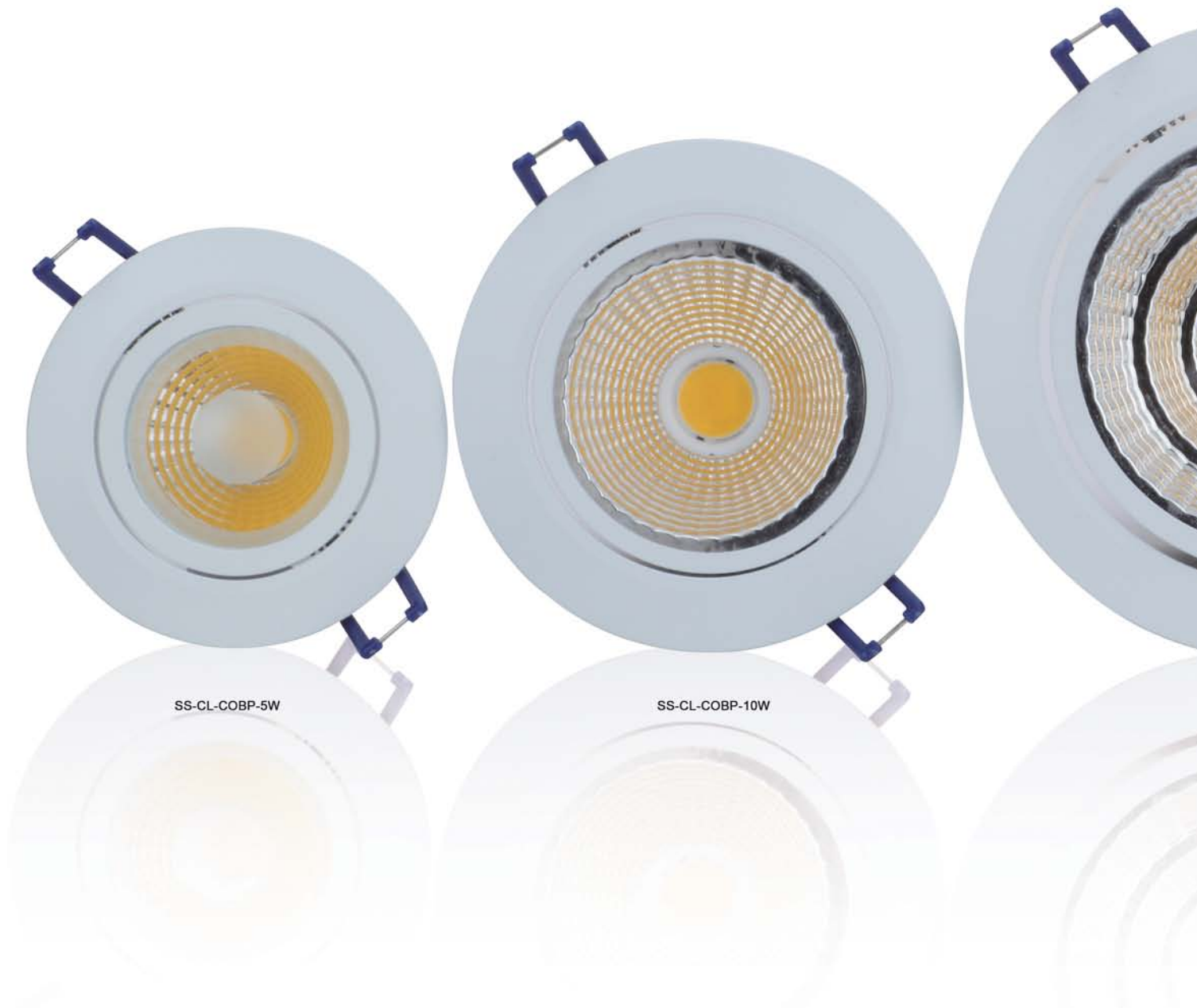
# CEILING LIGHT

## Features:

- 1.energy-saving:70%-80%energy compared with traditional spotlight.
- 2.adopt the super LED chips which have high lumen and low light loss, light loss is less than 5% during 3000 hours.
- 3.environmental-friendly:NO UV & infrared and other radiation, shock & vibration resistant.
- 4.long life-span:more than 50000 hours.
- 5.minimum maintenance required.

## Application:

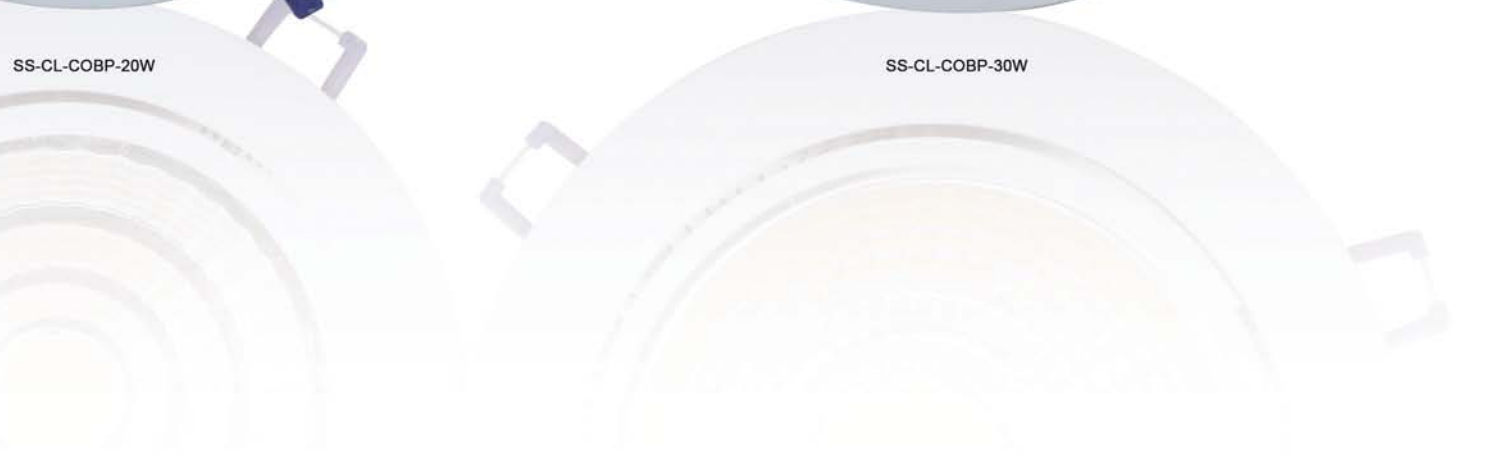
- 1.widely used for home,shopping center and office lighting and decoration of park,stage etc.
- 2.task lighting for cabinets, cupboards etc in your homes,restaurants,and kitchens or any other places where accent lighting is required.
- 3.led spotlight for the articles in ylor stores and shops.
- 4.jewellery showcase lighting.
- 5.bars,coffee house lighting.
- 6.suitable for products DIY store, hardware store, lighting store Malls,supermarket selling and lighting.





SS-CL-COBP-20W

SS-CL-COBP-30W



# CEILING LIGHT

## Features:

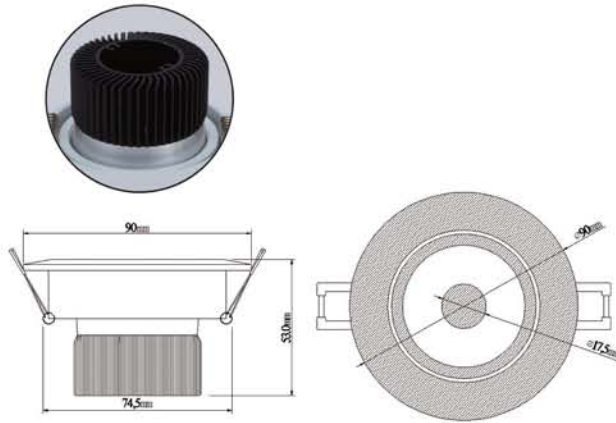
- 1.energy-saving:70%-80%energy compared with traditional spotlight.
- 2.adopt the super LED chips which have high lumen and low light loss, light loss is less than 5% during 3000 hours.
- 3.environmental-friendly:NO UV & infrared and other radiation, shock & vibration resistant.
- 4.long life-span:more than 50000 hours.
- 5.minimum maintenance required.

## Application:

- 1.widely used for home,shopping center and office lighting and decoration of park,stage etc.
- 2.task lighting for cabinets, cupboards etc in your homes,restaurants,and kitchens or any other places where accent lighting is required.
- 3.led spotlight for the articles in ylor stores and shops.
- 4.jewellery showcase lighting.
- 5.bars,coffee house lighting.
- 6.suitable for products DIY store, hardware store, lighting store Malls,supermarket selling and lighting.



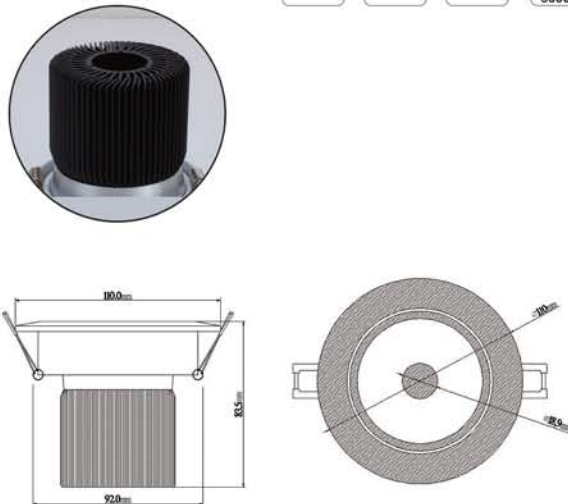
SS-CL-COB-5W



Model Number	Lamp Body Material	Lamp Power (W)	Lamp Luminous Flux(lm)	Size (mm)	Cut-out (mm)	CCT (K)	Lamp Viewing Angle(°)	Input Voltage (V)
SS-CL-COB-5W	Aluminum	5W	400-450	53x90	77	Warm White/Pure White/White	60°	AC85-265V

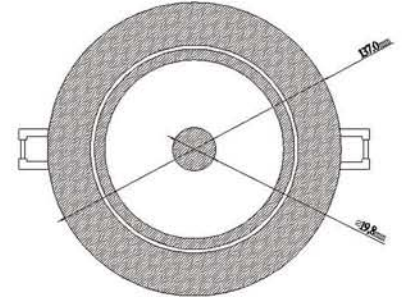
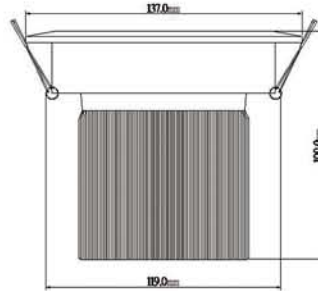


SS-CL-COB-10W



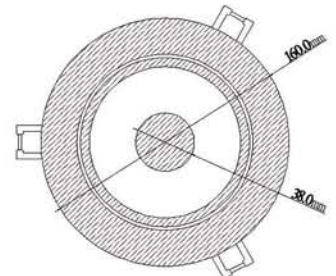
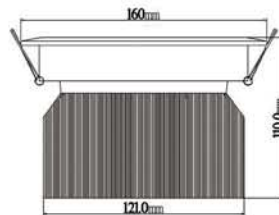
Model Number	Lamp Body Material	Lamp Power (W)	Lamp Luminous Flux(lm)	Size (mm)	Cut-out (mm)	CCT (K)	Lamp Viewing Angle(°)	Input Voltage (V)
SS-CL-COB-10W	Aluminum	10W	750-850	83.5x110	94	Warm White/Pure White/White	60°	AC85-265V





SS-CL-COB-15W

Model Number	Lamp Body Material	Lamp Power (W)	Lamp Luminous Flux(lm)	Size (mm)	Cut-out (mm)	CCT (K)	Lamp Viewing Angle(°)	Input Voltage (V)
SS-CL-COB-15W	Aluminum	15W	1050-1100	100x137	121	Warm White/Pure White/White	60°	AC85-265V
SS-CL-COB-20W	Aluminum	20W	1400-1500	100x137	121	Warm White/Pure White/White	60°	AC85-265V



SS-CL-COB-30W

Model Number	Lamp Body Material	Lamp Power (W)	Lamp Luminous Flux(lm)	Size (mm)	Cut-out (mm)	CCT (K)	Lamp Viewing Angle(°)	Input Voltage (V)
SS-CL-COB-30W	Aluminum	30W	2000-2300	110x160	125	Warm White/Pure White/White	60°	AC85-265V



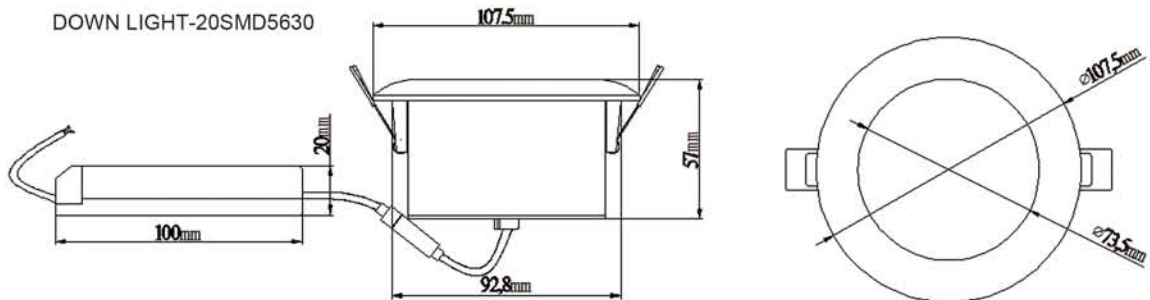
# DOWN LIGHT

## Features:

- 1.energy-saving:70%-80%energy compared with traditional spotlight.
- 2.adopt the super LED chips which have high lumen and low light loss, light loss is less than 5% during 3000 hours.
- 3.environmental-friendly:NO UV & infrared and other radiation, shock & vibration resistant.
- 4.long life-span:more than 50000 hours.
- 5.minimum maintenance required.

## Application:

- 1.widely used for home,shopping center and office lighting and decoration of park,stage etc.
- 2.task lighting for cabinets, cupboards etc in your homes,restaurants,and kitchens or any other places where accent lighting is required.
- 3.led spotlight for the articles in ylor stores and shops.
- 4.jewellery showcase lighting.
- 5.bars,coffee house lighting.
- 6.suitable for products DIY store, hardware store, lighting store Malls,supermarket selling and lighting.



Model Number	Lamp Body Material	Lamp Power (W)	Lamp Luminous Flux(lm)	Size (mm)	Cut-out (mm)	CCT (K)	Lamp Viewing Angle(°)	Input Voltage (V)
SS-DL-5610-10W	Aluminum	10W	750-800	57x107.5	95	Warm White/Pure White/White	180°	AC85-265V





# LED AR111

## Application:

- 1.widely used for home,shopping center and office lighting and decoration of park,stage etc.
- 2.task lighting for cabinets, cupboards etc in your homes,restaurants,and kitchens or any other places where accent lighting is required.
- 3.led spotlight for the articles in ylor stores and shops.
- 4.jewellery showcase lighting.
- 5.bars,coffee house lighting.
- 6.suitable for products DIY store, hardware store, lighting store Malls,supermarket selling and lighting.



SS-AR111P-COB-15W

Model Number	Lamp Body Material	Lamp Power (W)	Lamp Luminous Flux(lm)	Size (mm)	CCT (K)	Lamp Viewing Angle(°)	Input Voltage (V)
SS-AR111P-COB-12W	Aluminum with plastic outside	12W	1050-1100	111x73	Warm White/Pure White/White	60°	AC85-265V
SS-AR111P-COB-15W	Aluminum with plastic outside	15W	1300-1400	111x73	Warm White/Pure White/White	60°	AC85-265V



## Features:

- (1) the quality of light shape under the same condition, the weight is only aluminum alloy 2/3.
- (2) cleaner production processes, and die cast aluminium casing will cause serious pollution to the water and soil.
- (3) improve the degree of freedom of design and design more complex shapes. Processing of aluminum shell can not carry out a more complex shape.
- (4) the processing is convenient, high efficiency.
- (5) high insulation resistance.
- (6) reduce the manufacturing cost of production.

## Contrast material





SS-GL-COB-18W1



SS-GL-COB-18W2



SS-GL-COB-18W3

Model Number	Lamp Body Material	Lamp Power (W)	Lamp Luminous Flux(lm)	Size (mm)	CCT (K)	Lamp Viewing Angle(°)	Input Voltage (V)
SS-GL-COB-18W1	Aluminum	18W	1150-1200	185X185X140	Warm White/Pure White/White	24°	AC85-265V
SS-GL-COB-18W2	Aluminum	36W	2300-2400	200X385X140	Warm White/Pure White/White	24°	AC85-265V
SS-GL-COB-18W3	Aluminum	54W	3500-3600	200X480X140	Warm White/Pure White/White	24°	AC85-265V



# DOWN LIGHT



## Features:

- (1) the quality of light shape under the same condition, the weight is only aluminum alloy 2/3.
- (2) cleaner production processes, and die cast aluminium casing will cause serious pollution to the water and soil.
- (3) improve the degree of freedom of design and design more complex shapes. Processing of aluminum shell can not carry out a more complex shape.
- (4) the processing is convenient, high efficiency.
- (5) high insulation resistance.
- (6) reduce the manufacturing cost of production.

## Application:

- 1.widely used for home,shopping center and office lighting and decoration of park,stage etc.
- 2.task lighting for cabinets, cupboards etc in your homes,restaurants,and kitchens or any other places where accent lighting is required.
- 3.led spotlight for the articles in ylor stores and shops.
- 4.jewellery showcase lighting.
- 5.bars,coffee house lighting.
- 6.suitable for products DIY store, hardware store, lighting store Malls,supermarket selling and lighting.





SS-DLP-12W



SS-DLP-25W



SS-DLP-40W

Model Number	Lamp Body Material	Lamp Power (W)	Lamp Luminous Flux(lm)	Size (mm)	CCT (K)	Lamp Viewing Angle(°)	Input Voltage (V)
SS-DLP-12W	aluminum with plastic outside	12W	960-1000	185X185X140	Warm White/Pure White/White	60°	AC85-265V
SS-DLP-18W	aluminum with plastic outside	18W	1500-1550	200X385X140	Warm White/Pure White/White	60°	AC85-265V
SS-DLP-25W	aluminum with plastic outside	25W	2000-2100	200X480X140	Warm White/Pure White/White	60°	AC85-265V
SS-DLP-30W	aluminum with plastic outside	30W	2400-2500	200X385X140	Warm White/Pure White/White	60°	AC85-265V
SS-DLP-40W	aluminum with plastic outside	40W	3200-3300	200X480X140	Warm White/Pure White/White	60°	AC85-265V



# LED PAR LIGHT

## Features:

- 1.energy-saving:70%-80%energy compared with traditional spotlight.
- 2.adopt the super LED chips which have high lumen and low light loss, light loss is less than 5% during 3000 hours.
- 3.environmental-friendly:NO UV & infrared and other radiation, shock & vibration resistant.
- 4.long life-span:more than 50000 hours.
- 5.minimum maintenance required.

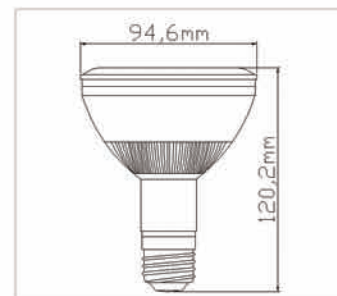
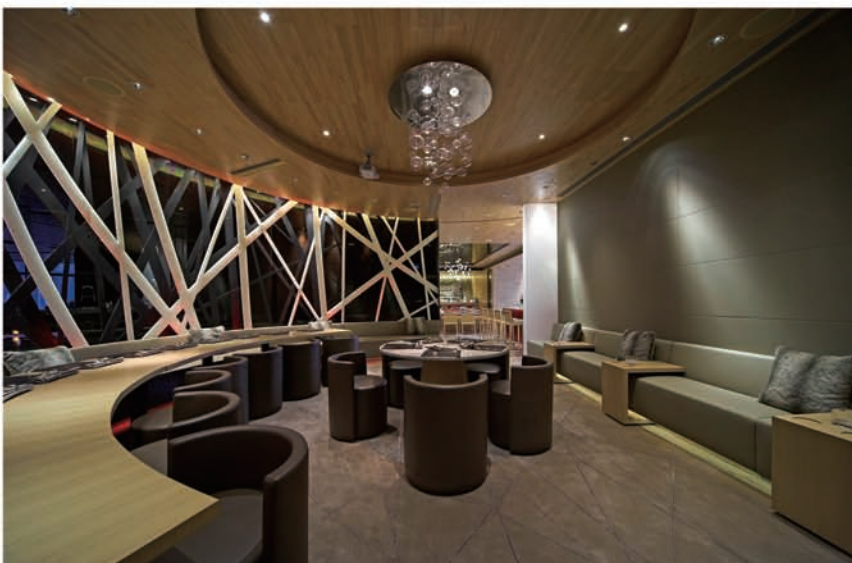
## Application:

- 1.widely used for home,shopping center and office lighting and decoration of park,stage etc.
- 2.task lighting for cabinets, cupboards etc in your homes,restaurants,and kitchens or any other places where accent lighting is required.
- 3.led spotlight for the articles in ylur stores and shops.
- 4.jewellery showcase lighting.
- 5.bars,coffee house lighting.
- 6.suitable for products DIY store, hardware store, lighting store Malls,supermarket selling and lighting.



SS-PAR30P-35W

Model Number	Lamp Body Material	Lamp Power (W)	Lamp Luminous Flux(lm)	Size (mm)	CCT (K)	Lamp Viewing Angle(°)	Input Voltage (V)
SS-PAR30P-35W	Plastic	35W	2800-2900	94.6x102.2	Warm White/Pure White/White	60°	AC85-265V





SS-PA20-COB-7W1

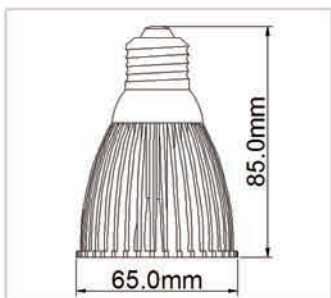


SS-PA30-COB-12W1

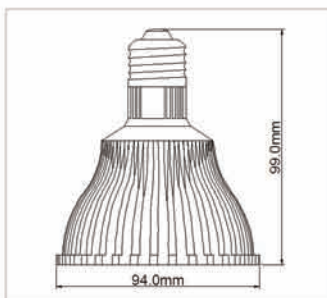


SS-PA38-COB-20W1

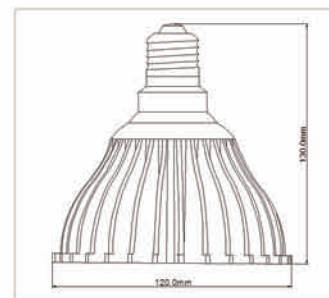
Model Number	Lamp Body Material	Lamp Power (W)	Lamp Luminous Flux(lm)	Size (mm)	CCT (K)	Lamp Viewing Angle(°)	Input Voltage (V)
SS-PA20-COB-7W1	Aluminum	7W	550-600	65x85	Warm White/Pure White/White	45°	AC85-265V
SS-PA30-COB-12W1	Aluminum	12W	800-900	94x99	Warm White/Pure White/White	45°	AC85-265V
SS-PA38-COB-20W1	Aluminum	15W	1400-1500	120x130	Warm White/Pure White/White	45°	AC85-265V



PAR20-7WCOB

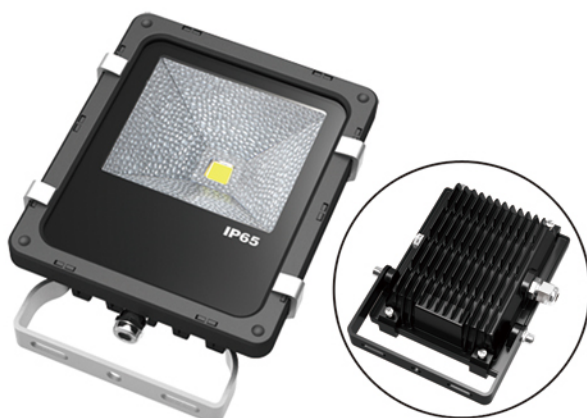


PAR30-12WCOB

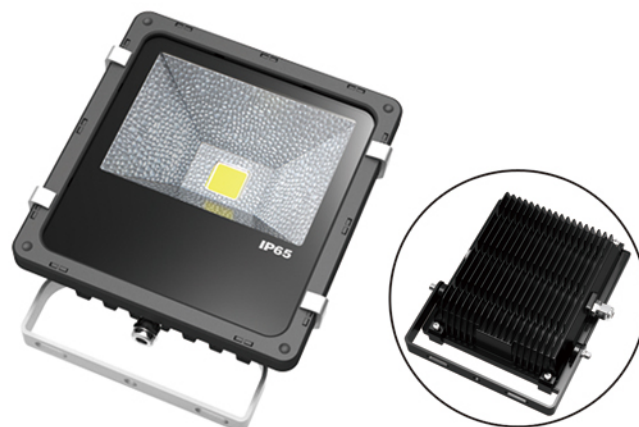


PAR38-20WCOB

# LED FLOOD Light



10W



20W

## Features:

- 1.energy-saving:70%-80%energy compared with traditional spotlight.
- 2.adopt the super LED chips which have high lumen and low light loss, light loss is less than 5% during 3000 hours.
- 3.environmental-friendly:NO UV & infrared and other radiation, shock & vibration resistant.
- 4.long life-span:more than 50000 hours.
- 5.minimum maintenance required.

## Application:

- 1.widely used for home,shopping center and office lighting and decoration of park,stage etc.
- 2.task lighting for cabinets, cupboards etc in your homes,restaurants,and kitchens or any other places where accent lighting is required.
- 3.led spotlight for the articles in ylor stores and shops.
- 4.jewellery showcase lighting.
- 5.bars,coffee house lighting.
- 6.suitable for products DIY store, hardware store, lighting store Malls,supermarket selling and lighting.

Model Number	Lamp Body Material	Lamp Power (W)	Lamp Luminous Flux(lm)	Size (mm)	IP Rating	CCT (K)	Lamp Viewing Angle(°)	Input Voltage (V)
SS-FLC-10W	Aluminum	10W	800-850	158X132X53	IP65	Warm White/Pure White/White	120°	AC85-265V
SS-FLC-20W	Aluminum	20W	1500-1600	203X176X64	IP65	Warm White/Pure White/White	120°	AC85-265V

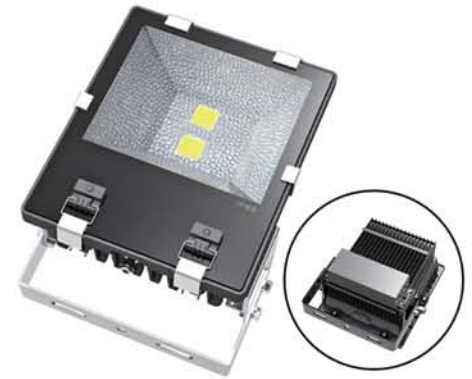




**30W**



**50W**



**70W**

Model Number	Lamp Body Material	Lamp Power (W)	Lamp Luminous Flux(lm)	Size (mm)	IP Rating	CCT (K)	Lamp Viewing Angle(°)	Input Voltage (V)
SS-FLC-30W	Aluminum	30W	2400-2500	219X191X64	IP65	Warm White/Pure White/White	120°	AC85-265V
SS-FLC-50W	Aluminum	50W	4000-4300	281X220X113	IP65	Warm White/Pure White/White	120°	AC85-265V
SS-FLC-70W	Aluminum	70W	5600-6000	281X220X113	IP65	Warm White/Pure White/White	120°	AC85-265V



**100W**



**150W**



**200W**

Model Number	Lamp Body Material	Lamp Power (W)	Lamp Luminous Flux(lm)	Size (mm)	IP Rating	CCT (K)	Lamp Viewing Angle(°)	Input Voltage (V)
SS-FLC-100W	Aluminum	100W	7500-8000	309X267X182	IP65	Warm White/Pure White/White	120°	AC85-265V
SS-FLC-150W	Aluminum	150W	12000-12500	365X298X187	IP65	Warm White/Pure White/White	120°	AC85-265V
SS-FLC-200W	Aluminum	200W	16000-17000	465X344X197	IP65	Warm White/Pure White/White	120°	AC85-265V



# LED FLOOD Light



**Features:**

- 1.energy-saving:70%-80%energy compared with traditional spotlight.
- 2.adopt the super LED chips which have high lumen and low light loss, light loss is less than 5% during 3000 hours.
- 3.environmental-friendly:NO UV & infrared and other radiation, shock & vibration resistant.
- 4.long life-span:more than 50000 hours.
- 5.minimum maintenance required.

**Application:**

- 1.widely used for home,shopping center and office lighting and decoration of park,stage etc.
- 2.task lighting for cabinets, cupboards etc in your homes,restaurants,and kitchens or any other places where accent lighting is required.
- 3.led spotlight for the articles in ylor stores and shops.
- 4.jewellery showcase lighting.
- 5.bars,coffee house lighting.
- 6.suitable for products DIY store, hardware store, lighting store Malls,supermarket selling and lighting.



# LED FLOOD Light



10W



## Features:

- 1.energy-saving:70%-80%energy compared with traditional spotlight.
- 2.adopt the super LED chips which have high lumen and low light loss, light loss is less than 5% during 3000 hours.
- 3.environmental-friendly:NO UV & infrared and other radiation, shock & vibration resistant.
- 4.long life-span:more than 50000 hours.
- 5.minimum maintenance required.

## Application:

- 1.widely used for home,shopping center and office lighting and decoration of park,stage etc.
- 2.task lighting for cabinets, cupboards etc in your homes,restaurants,and kitchens or any other places where accent lighting is required.
- 3.led spotlight for the articles in ylor stores and shops.
- 4.jewellery showcase lighting.
- 5.bars,coffee house lighting.
- 6.suitable for products DIY store, hardware store, lighting store Malls,supermarket selling and lighting.

Model Number	Lamp Body Material	Lamp Power (W)	Lamp Luminous Flux(lm)	Size (mm)	IP Rating	CCT (K)	Lamp Viewing Angle(°)	Input Voltage (V)
SS-FL-10W1	Aluminum	10W	700-750	85X114	IP65	Warm White/Pure White/White	120°	AC85-265V





**30W**



**50W**

Model Number	Lamp Body Material	Lamp Power (W)	Lamp Luminous Flux(lm)	Size (mm)	IP Rating	CCT (K)	Lamp Viewing Angle(°)	Input Voltage (V)
SS-FL-30W1	Aluminum	30W	2100-2500	140X180	IP65	Warm White/Pure White/White	120°	AC85-265V
SS-FL-50W1	Aluminum	50W	3500-4000	187X225	IP65	Warm White/Pure White/White	120°	AC85-265V



**70W**



**100W**

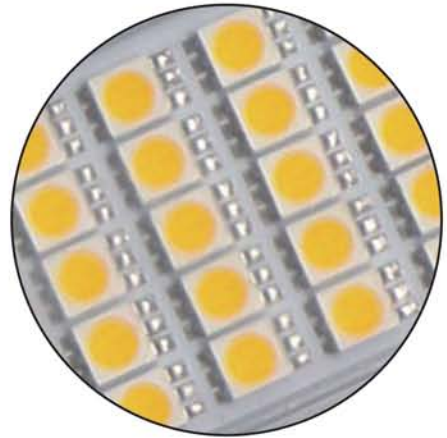
Model Number	Lamp Body Material	Lamp Power (W)	Lamp Luminous Flux(lm)	Size (mm)	IP Rating	CCT (K)	Lamp Viewing Angle(°)	Input Voltage (V)
SS-FL-70W1	Aluminum	70W	5000-5500	362X285	IP65	Warm White/Pure White/White	120°	AC85-265V
SS-FL-100W1	Aluminum	100W	7500-8000	367X285	IP65	Warm White/Pure White/White	120°	AC85-265V



# LED PL Light



SS-PL-12W



## Features:

1. energy-saving: 70%-80% energy compared with traditional spotlight.
2. adopt the super LED chips which have high lumen and low light loss, light loss is less than 5% during 3000 hours.
3. environmental-friendly: NO UV & infrared and other radiation, shock & vibration resistant.
4. long life-span: more than 50000 hours.
5. minimum maintenance required.

## Application:

1. widely used for home, shopping center and office lighting and decoration of park, stage etc.
2. task lighting for cabinets, cupboards etc in your homes, restaurants, and kitchens or any other places where accent lighting is required.
3. led spotlight for the articles in your stores and shops.
4. jewellery showcase lighting.
5. bars, coffee house lighting.
6. suitable for products DIY store, hardware store, lighting store Malls, supermarket selling and lighting.

Model Number	Lamp Body Material	Lamp Power (W)	Lamp Luminous Flux(lm)	Size (mm)	CCT (K)	Lamp Viewing Angle(°)	Input Voltage (V)
SS-PL-12W	Aluminum	12W	1020-1050	35X35X165	Warm White/Pure White/White	120°	AC85-265V





SS-PL-5W



SS-PL-7W



SS-PL-8W

Model Number	Lamp Body Material	Lamp Power (W)	Lamp Luminous Flux(lm)	Size (mm)	CCT (K)	Lamp Viewing Angle(°)	Input Voltage (V)
SS-PL-5W	Aluminum	5W	400-450	35X35X127	Warm White/Pure White/White	120°	AC85-265V
SS-PL-7W	Aluminum	7W	550-650	35X35X127	Warm White/Pure White/White	120°	AC85-265V
SS-PL-8W	Aluminum	8W	630-680	35X35X151	Warm White/Pure White/White	120°	AC85-265V



Model Number	Lamp Body Material	Lamp Power (W)	Lamp Luminous Flux(lm)	Size (mm)	CCT (K)	Lamp Viewing Angle(°)	Input Voltage (V)
SS-PL-9W	Aluminum	9W	750-800	35X35X151	Warm White/Pure White/White	120°	AC85-265V
SS-PL-11W	Aluminum	11W	920-950	35X35X155	Warm White/Pure White/White	120°	AC85-265V





**Add:** 22, Beihu 1st Road, Luocun, Nanhai, FoshanGuangdong, China

**Tel:** +86-757-83982666

**Fax:** +86-757-82283667

**Web:** <http://www.bulb.net>

<http://www.sinostarled.com>

**Email:** [sales@sinostarled.com](mailto:sales@sinostarled.com)

[sinostar@hotmail.com](mailto:sinostar@hotmail.com)

**Whatsapp:** 13929906076

**WeChat:** sinostarled

**Skype:** sinostarled